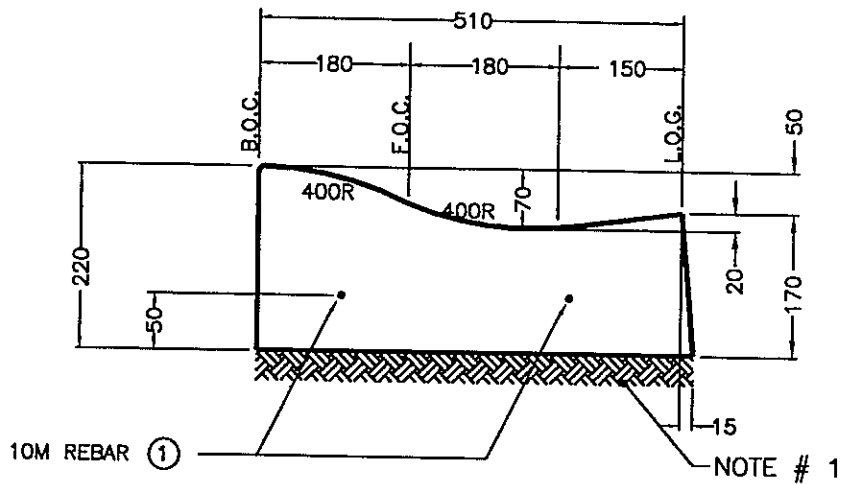


BARRIER CURB & GUTTER



ROLLED CURB & GUTTER

NOTES:

1. 50mm COMPACTED GRANULAR FILL IF HAND POURED.
 2. ALL CONCRETE TO BE 32 MPa AND AIR ENTRAINED.
 3. CRACK CONTROL JOINTS EVERY 1.5 m.
 4. EXPANSION JOINTS AT LANE CROSSINGS AND CURB RADIUS RETURNS.
 5. PROVIDE A MINIMUM OF 50mm COVER TO ALL REBAR.
 6. DIMENSIONS SHOWN ARE IN MILLIMETERS.
 7. F.O.C. - FACE OF CURB
L.O.G. - LIP OF GUTTER
T.O.C. - TOP OF CURB
- ① PROVIDE REINFORCEMENT AT:
 - HAND POURED SECTIONS AT CURB RADIUS RETURNS AND SERVICE TRENCH CROSSINGS
 - COMMERCIAL, INDUSTRIAL AND LANE CROSSINGS
 - OTHER CROSSINGS AS SPECIFIED ON DETAILED DRAWINGS

No.	Date	Revision	App'd
1	6/24	Rev. 15m Exp. Joint; Add Reinf. Service Trench	QW

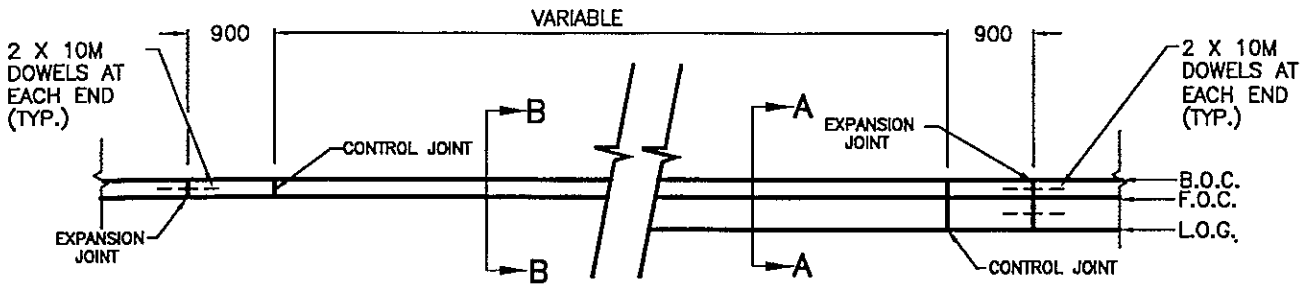
Drawn By : S.B.F.
 Checked By : F.A.M.
 Date : JUNE 19, 1998
 Scale : N.T.S.
 Approved By:
 City Engineer

CITY OF ESTEVAN
 ENGINEERING & PUBLIC WORKS DEPARTMENT

CURB AND GUTTER DETAILS



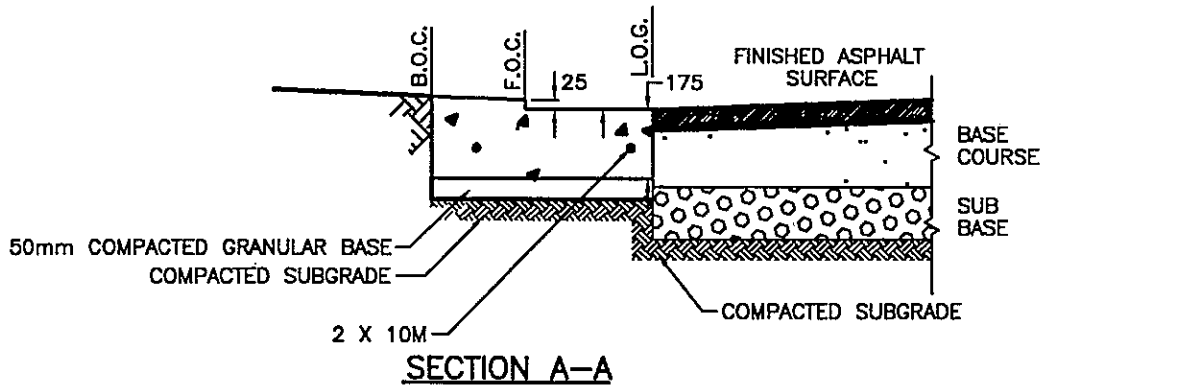
Detail Drawing No. AC-1



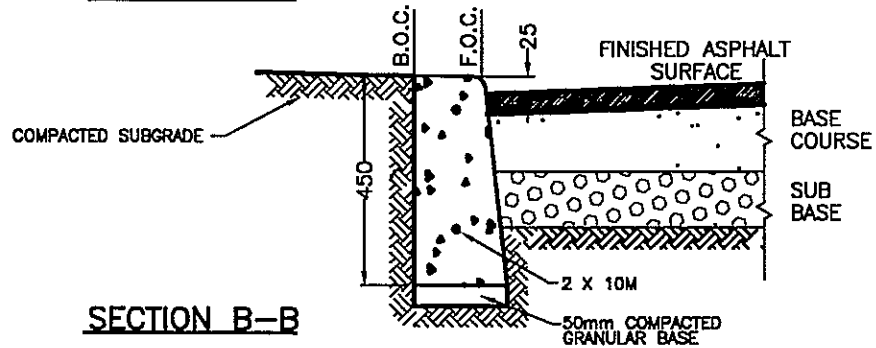
BARRIER CURB CROSSING
(TYPICAL AT EACH END OF CROSSING)

CURB & GUTTER CROSSING
(TYPICAL AT EACH END OF CROSSING)

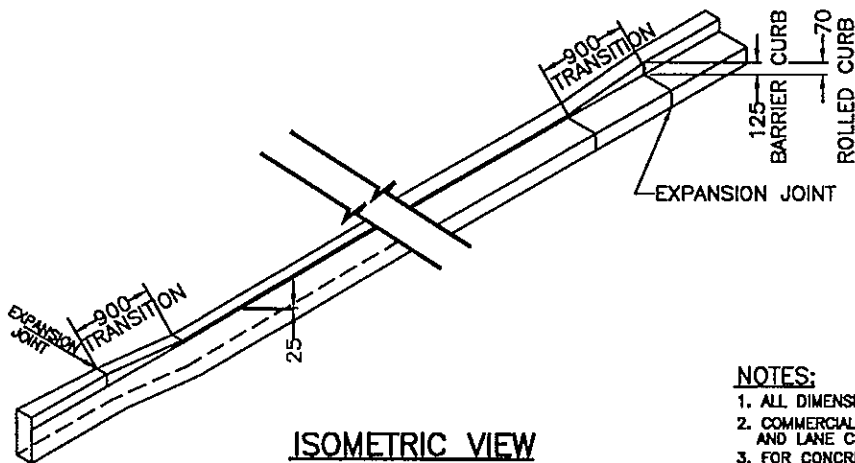
PLAN



SECTION A-A



SECTION B-B



ISOMETRIC VIEW

NOTES:

1. ALL DIMENSIONS ARE IN MILLIMETERS.
2. COMMERCIAL / INDUSTRIAL DRIVEWAYS AND LANE CROSSINGS.
3. FOR CONCRETE SPEC SEE DWG AC-1

No.	Date	Revision	App'd
5	8/06	ADD NOTE	
4	02/99	LINE THICKNESS & ADD DIMENSIONS	
3	07/98	NOTES & DIMENSIONS	
2	04/98	TITLE BLOCK	
1	08/96	SECTION A-A DIMENSIONS	

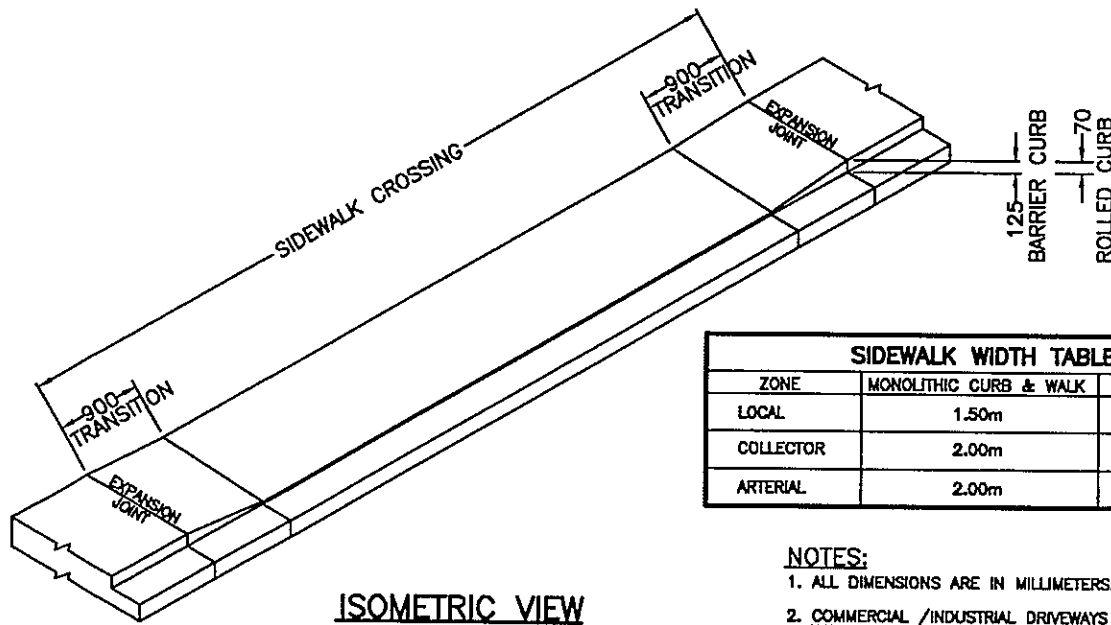
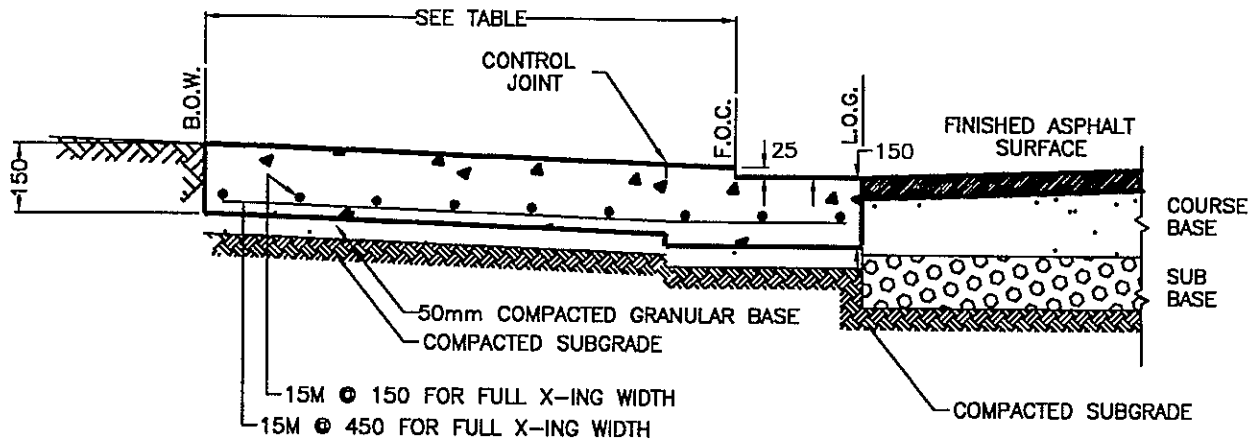
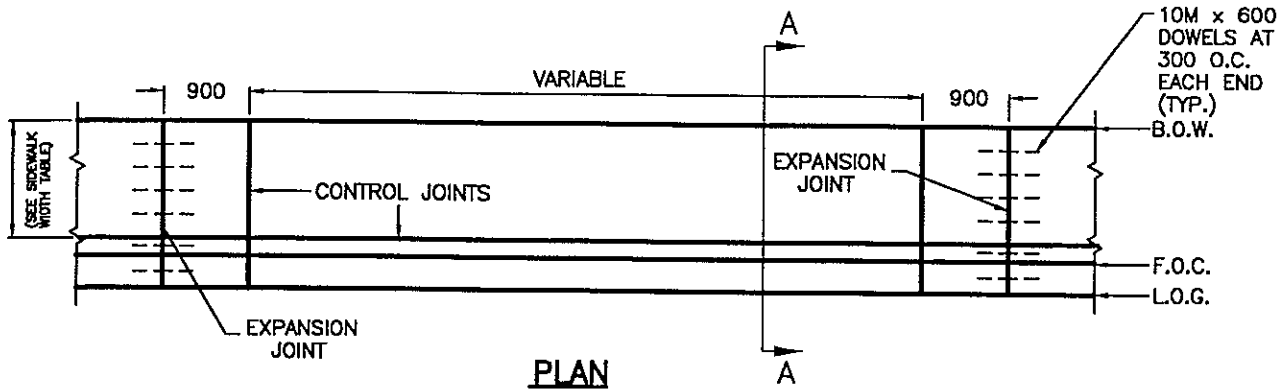
Drawn By : S.B.F.
 Checked By : F.M.K.
 Date : JULY 14, 1998
 Scale : N.T.S.
 Approved By:
 City Engineer

CITY OF ESTEVAN
 ENGINEERING & PUBLIC WORKS DEPARTMENT

**COMMERCIAL, INDUSTRIAL DRIVEWAYS
 AND LANE CROSSINGS
 CONCRETE BARRIER CURB & GUTTER**



Detail Drawing No. **AC-3B**



ZONE	MONOLITHIC CURB & WALK	SEPARATE WALK
LOCAL	1.50m	1.50m
COLLECTOR	2.00m	1.50m
ARTERIAL	2.00m	1.50m

- NOTES:
1. ALL DIMENSIONS ARE IN MILLIMETERS.
 2. COMMERCIAL /INDUSTRIAL DRIVEWAYS AND LANE CROSSINGS, 150mm CONCRETE.

		Drawn By : T.M.V.
		Checked By : G.J.W.
		Date : DEC. 8, 1993
3	07/98	NOTES & DIMENSIONS
2	06/98	TITLE BLOCK
1	08/90	SECTION A-A DIMENSIONS
No.	Date	Revision
		App'd
		Cty. Engineer

CITY OF ESTEVAN
ENGINEERING & PUBLIC WORKS DEPARTMENT

**COMMERCIAL, INDUSTRIAL
DRIVEWAYS AND LANE CROSSINGS**

